

THROUGH-PENETRATION FIRESTOP SYSTEMS

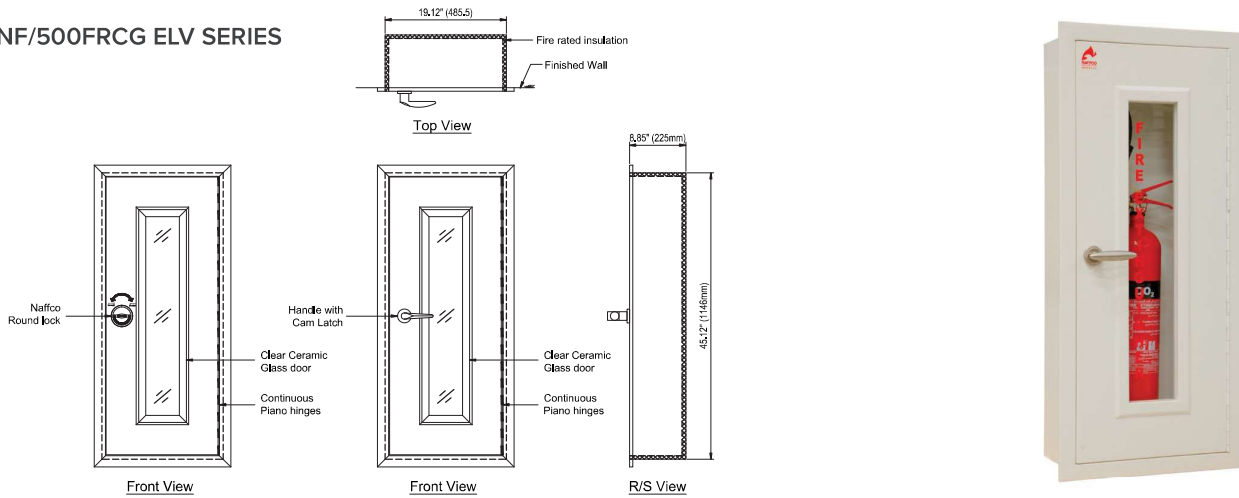


FIRE RATED CABINETS

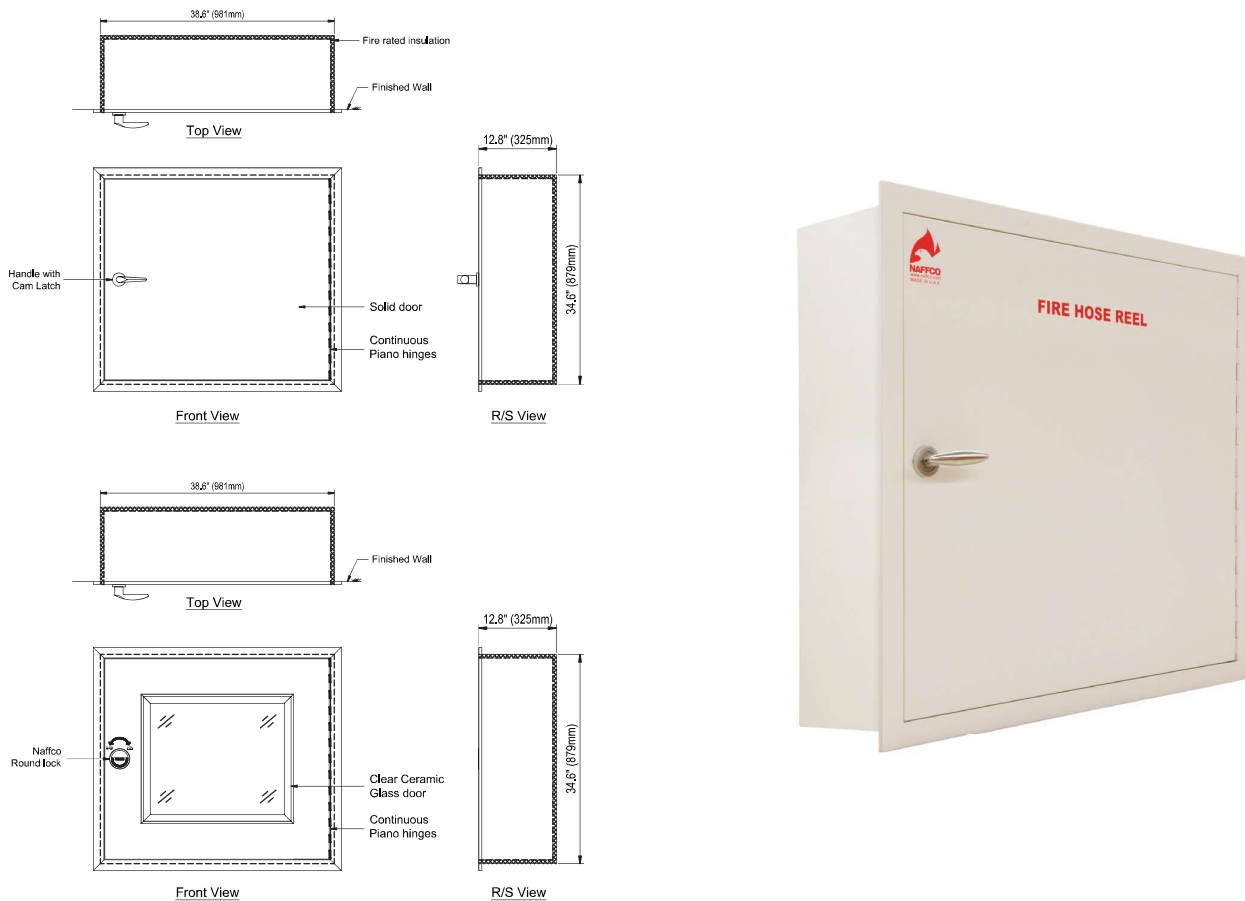
PRODUCT DESCRIPTION

NAFFCO proudly manufactures fire-rated cabinets for use in fire-rated assemblies. Underwriters Laboratories, Inc. has classified and listed NAFFCO fire-rated cabinets for combustibles and non-combustible wall systems. The cabinets are tested to ASTM E814 or UL1479 results in hourly rating of 2 hour for both flame ("F") and temperature transfer("T"). The fire-rated option eliminates the costly need to line the wall opening with fire-rated material. It also provides the specified assurance in maintaining the integrity of the wall penetration and in meeting building code specifications.

NF/500FRCG ELV SERIES

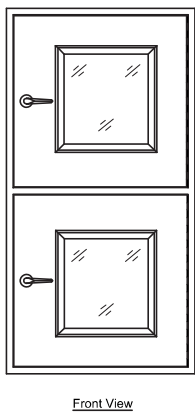
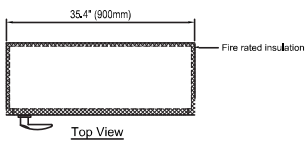


NF/FRC 600HRE SERIES

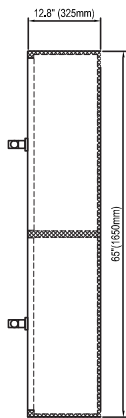


DOUBLE VERTICAL SERIES

NF/700 FRC & NF/800 FRC

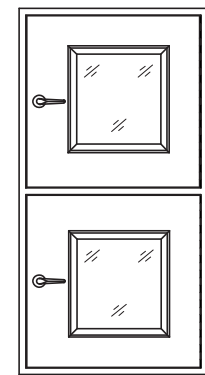
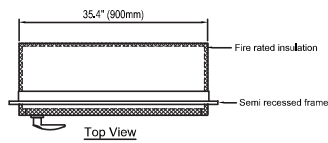


Front View

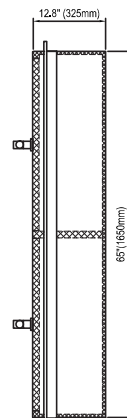


R/S View

SURFACE MOUNTED

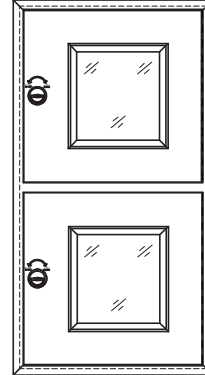
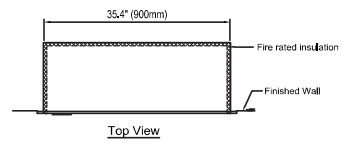


Front View

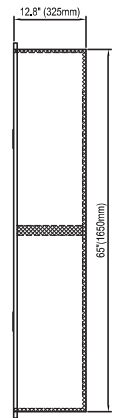


R/S View

SEMI RECESSED



Front View



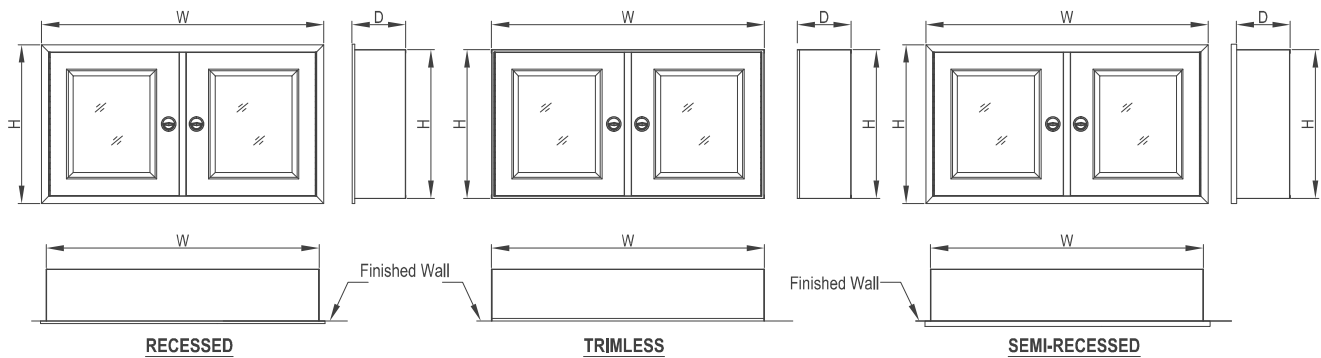
R/S View

RECESSED

DOUBLE HORIZONTAL SERIES NF/700 FRC & NF/800 FRC)



DOUBLE HORIZONTAL CABINET



SPECIFICATIONS

Model	NF/800FRC-SERIES, NF700FRC-SERIES, NF/600FRC-SERIES, NF/500FRC-SERIES		
Type		Vertical	Horizontal
Maximum Size	Outside	78.74"(H) x 47.24"(W) x 12.8"(D)	47.24"(H) x 78.74"(W) x 12.8"(D)
		2000 mm(H) x 1200 mm(W) x 325 mm(D)	1200 mm(H) x 2000 mm(W) x 325 mm(D)
	Inside	77.56"(H) x 46.06"(W) x 12.2"(D)	46.06"(H) x 77.56"(W) x 12.2"(D)
		1970 mm(H) x 1170 mm(W) x 310 mm(D)	1170 mm(H) x 1970 mm(W) x 310 mm(D)
Cabinet Material	1.2 mm (Minimum) Complete E.g..Sheet, Red (RAL 3000) Powder Coated or Any Other Colors in RAL.		
	1.2 mm (Minimum) Stainless steel Fascia, Back box E.g..Sheet		
	1.2 mm (Minimum) Complete Stainless Steel 304/316L Brush/Mirror		
Type of Cabinet	Recessed Type, Trimless, Semi-Recessed & Surface Mounted		
Fire Barrier Material	13 mm or Greater Thickness Ceramic Blanket		
Fire Rating	F-Rating: 2 hour		
	T-Rating: 2 Hour		
Cabinet to Accommodate	Fire Hose Reel or Fire Hose Rack, Fire Hose, Landing Valve, Water Branch Pipe & Portable Fire Extinguishers		
Door Type	Fire Rated Glass Door (Optional: Fire Rated Solid Door)		
Lock Type	Handle with Cam Latch (Optional: Round lock)		
Standard Compliance	Cabinets tested to ASTM E 814/UL 1479 result in hourly rating of 2 hour for both flame ("F") and temperature transfer ("T").		
Listing	UL Classified		

NOTE: - General Tolerance $\pm 12"$ (3 mm)

*Size can be reduced to accommodate different equipment's as per requirement

**No of Compartments and Doors may vary in size provided should be within the maximum size

SPECIFICATIONS

SERIES	Recessed Type Model	Dimensions* in mm			Cabinet Description
	Surface Type Model	Height	Width	Depth	
NF/800FRC SERIES	NF/800FRC/R/CDV#	2000	1200	325	Custom made vertical cabinet as per requirement
	NF/800FRC/S/CDV#				
	NF/800FRC/R/CDH#	1200	2000	325	Custom made Horizontal cabinet as per requirement
	NF/800FRC/S/CDH#				
	NF/800FRC/R/SCM	900	750	300	Single Compartment Fire Hose Reel Cabinet to accommodate Cabinet Mounted Hose Reel
	NF/800FRC/S/SCM				
	NF/800FRC/R/SWM	850	750	300	Single Compartment Fire Hose Reel Cabinet to accommodate Wall Mounted Hose Reel
	NF/800FRC/S/SWM				
	NF/800FRC/R/38HR	750	700	250	Single Compartment Fire Hose Rack Cabinet to accommodate 1.5" x 30 m Fire Hose Rack
	NF/800FRC/S/38HR				
	NF/800FRC/R/64HR	850	800	250	Single Compartment Fire Hose Rack Cabinet to accommodate 2.5" x 30 m Fire Hose Rack
	NF/800FRC/S/64HR				
	NF/800FRC/R/SSE	850	350	220	Single Compartment Fire Extinguisher Cabinets to accommodate Single Fire Extinguishers
	NF/800FRC/S/SSE				
	NF/800FRC/R/SDE	850	550	250	Single Compartment Fire Extinguisher Cabinets to accommodate Double Fire Extinguishers
	NF/800FRC/S/SDE				
	NF/800FRC/R/FLV	900	800	250	Single Compartment Landing valve Cabinet to accommodate Fire Hose and Landing valve
	NF/800FRC/S/FLV				
	NF/800FRC/R/SCE	900	900	300	Single compartment to accommodate cabinet mounted Fire hose reel & Fire Extinguisher cabinet
	NF/800FRC/S/SCE				
	NF/800FRC/R/DV	1650	800	300	Double Compartment Vertical Cabinet to accommodate Fire Hose Reels with Extinguishers and Fire Hose
	NF/800FRC/S/DV				
	NF/800FRC/R/DH	900	1650	300	Double Compartment Horizontal Cabinet to accommodate Fire Hose Reels with Fire Extinguishers and Fire Hose
	NF/800FRC/S/DH				
NF/800FRC/R/DHE	900	1100	300	Double Compartment Horizontal Cabinet to accommodate Fire Hose Reels & Fire Extinguisher	
NF/800FRC/S/DHE					
NF/800FRC/S/FE+	1300	850	325	Single Compartment Foam Equipment Cabinet to accommodate Foam Equipment's	
NF/700FRC SERIES	NF/700FRC/DV#	1650	900	325	Cabinet to accommodate various firefighting equipments as per customer requirement
	NF/700FRC/DH#	900	1650	325	
NF/FRC600 SERIES	NF/FRC600 HRE	879.5	981	325	Cabinet to accommodate various firefighting equipments as per customer requirement
NF/500FRC SERIES	NF/500FRCG ELV	1146	485.5	225	To accommodate portable Fire extinguisher or Landing valve

NOTE:

* Max Dimensions

Max Dimension, Cabinets may be constructed of one or more compartments. The number of doors and compartments are independent and may vary in size as to not exceed the maximum dimensions specified above.

+ Only Surface Mounted Type Available